

## EHB Series Precision Balance

### General Specifications

- Display 16.5mm digit LCD display, with white LED backlight
- Capacities 150g~6000g
- Pan size  $\Phi 80\text{mm}$ ,  $\Phi 120\text{mm}$ ,  $140 \times 150\text{mm}$ ,  $180\text{mm} \times 190\text{mm}$
- Keyboard 7keys(Membrane keyboard)
- Housing ABS plastic
- Max. Divisions 6,000e/60,000d/150,000d/300,000d
- ADC update  $\leq 1/10$  second
- Operate Temp  $+5^{\circ}\text{C} \sim +40^{\circ}\text{C}$
- Power AC adapter (12V/500mA), Rechargeable battery(6V/1.2Ah)
- Gross weight 3.5kg(with wind shield), 2kg(without wind shield)



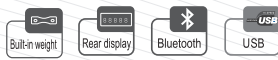
- Up to 300,000 resolution
- OIML approval from Delta(approval no.: DK0199.266)
- Rechargeable battery provide up to 40 hours of continuous use (without backlight)
- Standard RS-232 interface
- Optional build-in weight function
- Optional USB communication port
- Optional rear display
- Optional bluetooth (4.3GHz, 10m)
- Application: 1. Percentage weighing 2. Counting 3. Accumulation 4. Weighing units conversion



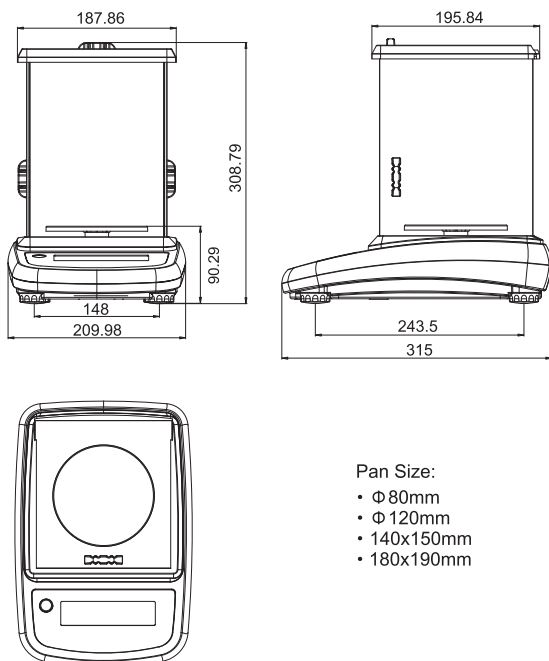
## EHB Series Precision Balance

Model Name	Capacity	Readability	Division	Pan Size	Approx. weight	Approval
EHB-150	150g	0.002g	60,000d	Φ 80mm	3.5kg	CE
EHB-300	300g	0.005g	60,000d	Φ 120mm	3.5kg	CE
EHB-600	600g	0.01g	60,000d	Φ 120mm	3.5kg	CE
EHB-1500	1500g	0.02g	60,000d	140x150mm	2kg	CE
EHB-3000	3000g	0.05g	60,000d	140x150mm	2kg	CE
EHB-6000	6000g	0.1g	60,000d	140x150mm	2kg	CE
EHB-150M	150g	0.02g	6,000e	Φ 80mm	3.5kg	CE, OIML
EHB-300M	300g	0.05g	6,000e	Φ 120mm	3.5kg	CE, OIML
EHB-600M	600g	0.1g	6,000e	Φ 120mm	3.5kg	CE, OIML
EHB-1500M	1500g	0.2g	6,000e	140x150mm	2kg	CE, OIML
EHB-3000M	3000g	0.5g	6,000e	140x150mm	2kg	CE, OIML
EHB-6000M	6000g	1g	6,000e	140x150mm	2kg	CE, OIML
EHB+-150	150g	0.001g	150,000d	Φ 80mm	3.5kg	CE
EHB+-1500	1500g	0.01g	150,000d	Φ 120mm	3.5kg	CE
EHB++-300	300g	0.001g	300,000d	Φ 80mm	3.5kg	CE
EHB++-3000	3000g	0.01g	300,000d	Φ 120mm	3.5kg	CE

### Options



### Dimensions(mm)



- Pan Size:
- Φ 80mm
  - Φ 120mm
  - 140x150mm
  - 180x190mm

### Print formats

2012/03/07	13:38
PERCENT:	100.01%
2012/03/07	13:37
S/N0:	1
WEIGHT:	80.26 g
2012/03/07	13:37
S/N0:	1
TOTAL.WT:	80.26 g
2012/03/07	13:38
PCS:	222pcs
UNIT.WT:	0.40132 g
WEIGHT:	89.04 g